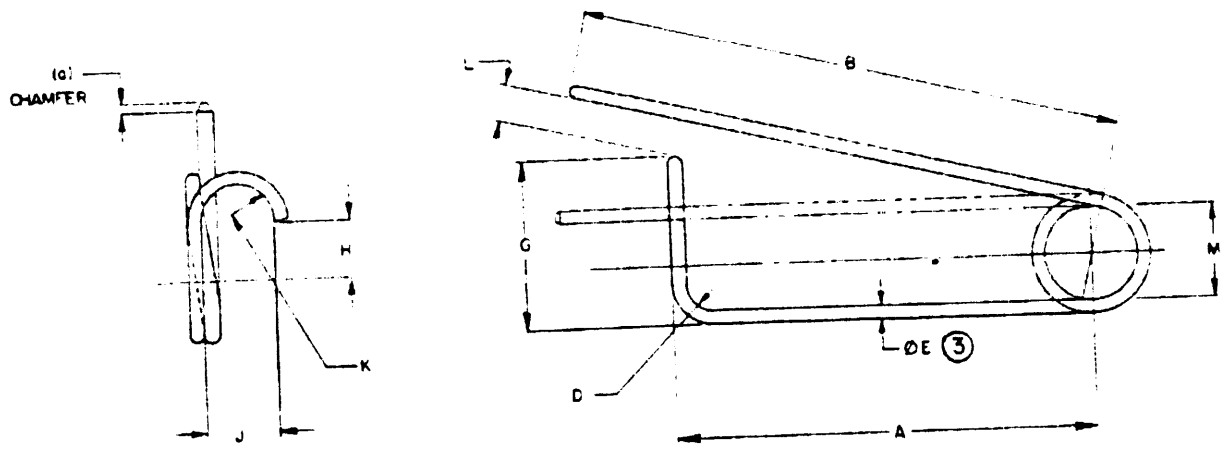


"Revisions/Alter Information is current as of the date of this document.
For future coordination of changes in this document, draft circulation
should be based on the information in the current DDSSS."

DISPOSITION STATEMENT A Approved for public release; distribution is unlimited.
This military standard is approved for use by all Departments and Agencies of the Department of Defense.
Selection for all new engineering and design applications and for repetitive use shall be made from this
document when applicable.



AN PART NUMBER	A	B	D RAC	Ø E ③	G	H	J	K RAD	L	M
AN416-1	1-1/16	1-3/8	3/32	.051	19/64	3/64	1/8	3/64	.125	.156
AN416-2	3/4	15/16	1/16	.041	1/4	1/32	3/32	1/32	.125	.156
AN416-3	2.15	2.65	.080	.080	1/2	5/32	11/64	.080	.120	.250

③

(c) CHAMFER TO REMOVE BURRS AND SHARP EDGES.
MATERIAL: STEEL, SPECIFICATION Q2-W-470.

- ③ FINISH: CADMIUM PLATE, SPECIFICATION QQ-P-416 TYPE 11, CLASS 1.
- ③ DIMENSIONS IN INCHES. UNLESS OTHERWISE SPECIFIED, TOLERANCES: FRACTIONS 1/32
DECIMALS .001.
- ③ DIMENSIONING AND TOLERANCING SHALL BE IN ACCORDANCE WITH ANSI Y14.5M.

③ DENOTES CHANGES

F.A. AIR FORCE-82 Other Cust ARMY-AV AIR FORCE-99	AIR FORCE-NAVY AERONAUTICAL STANDARD ③ PIN, RETAINING, SAFETY	AN416 SHEET OF
PROCUREMENT SPECIFICATION NONE		

SUPERSEDES USAF STANDARD 416
PROJECT NO. 5315-0420