

MAY 6 1991

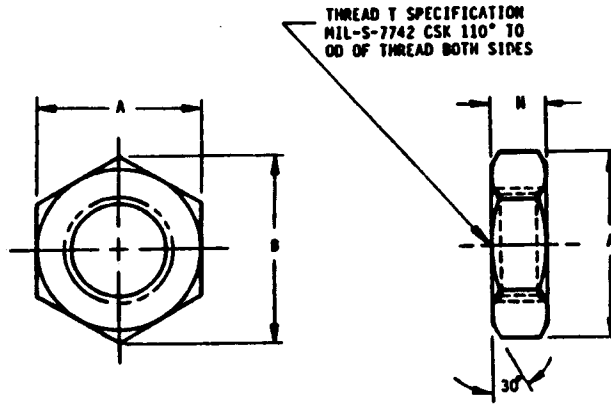
FED. SUP. CLASS
6310

REVIEWER SYMBOLS:
ARMY - AR
AIR FORCE - AF
DLA - IS

NOTE: When Government drawings, specifications or other data are used for any purpose other than in connection with a distinctly related Government procurement operation, the United States Government hereby incurs no responsibility, nor any obligation whatsoever; and the fact that the Government may have furnished, furnished, or in any way supplied the said drawings, specifications or other data is not to be regarded as an authorization or approval of the manufacturer, dealer, or any other person or organization that may, in any way be related thereto.

DISSEMINATION STATEMENT: Approved for public release; distribution is unlimited.
ABSTRACT: This drawing was approved by JPL for this product. This drawing represents all subsequent standard drawings for this same product and shall become effective for the procurement of a mechanical member, or for use in new design not later than 6 months after the latest date of approval shown.

AMSC N/A



| AN PART NO. | THREAD T | ULTIMATE TENSILE STRENGTH MINIMUM POUNDS | A | B APPROX | H |
|--------------|---------------|--|-----------------------------------|----------|------|
| AN316-4 | 1/4-28UNF-3B | 2,040 | .438 ^{+0.002} -0.010 | 1/2 | 1/8 |
| AN316-5 | 5/16-24UNF-3B | 3,250 | .500 ^{+0.002} -0.010 | 37/64 | 5/32 |
| AN316-6 | 3/8-24UNF-3B | 5,050 | .563 ^{+0.002} -0.010 | 21/32 | 3/16 |
| AN316-7 | 7/16-20UNF-3B | 6,800 | .625 ^{+0.002} -0.011 | 23/32 | 7/32 |
| AN316-8 | 1/2-20UNF-3B | 9,250 | .750 ^{+0.002} -0.012 | 7/8 | 1/4 |
| AN316-9 | 9/16-18UNF-3B | 11,800 | .875 ^{+0.002} -0.012 | 1- 1/64 | 9/32 |
| AN316-10 | 5/8-18UNF-3B | 15,050 | 1.000 ^{+0.002} -0.014 | 1- 5/32 | 5/16 |
| AN316-12 | 3/4-16UNF-3B | 22,000 | 1.125 ^{+0.002} -0.016 | 1-19/64 | 3/8 |
| AN316-14 | 7/8-14UNF-3B | 30,000 | 1.313 ^{+0.002} -0.017 | 1-33/64 | 7/16 |
| (a) AN316-16 | 1-14 UNF-3 | 40,350 | 1.500 ^{+0.002} -0.019 | 1-47/64 | 1/2 |
| AN316-18 (a) | 1-12UNF-3B | 40,350 | 1.500 ^{+0.002} -0.019 | 1-47/64 | 1/2 |

(a) PART NO. AN316-16 INACTIVE FOR DESIGN AFTER 30 OCT 64. USE AN316-18 FOR NEW DESIGN. FOR SIZES SMALLER THAN 1/4, USE NUT AN315.

NOTES:

- (1) 1. MATERIAL: STEEL, 300 SERIES CORROSION-RESISTANT STEEL. SEE PROCUREMENT SPECIFICATION. (400 SERIES CRES INACTIVE FOR DESIGN AFTER 1 JAN 1992).
2. FINISH: STEEL-CADMIUM PLATE IN ACCORDANCE WITH QQ-P-416, TYPE II, CLASS 2. PARTS WITH CLASS 3 PLATING MAY BE FURNISHED FROM SUPPLIER'S STOCK UNTIL 1 JANUARY 1976. CORROSION RESISTANT STEEL-PASSIVATE IN ACCORDANCE WITH QQ-P-35.
3. DIMENSIONS IN INCHES. UNLESS OTHERWISE SPECIFIED, TOLERANCES: FRACTIONS; $\pm 1/64$, ANGLES; $\pm 1^\circ$.
4. REMOVE ALL BURRS.
5. EXAMPLES OF PART NUMBERS: AN316-7R = NUT, STEEL, 7/16-20UNF-3, RIGHT HAND THREAD.
AN316-7L = NUT, STEEL, 7/16-20UNF-3, LEFT HAND THREAD.
AN316C7L = NUT, CORROSION-RESISTANT STEEL, 7/16-20UNF-3, LEFT HAND THREAD.
6. ADD "C" IN PLACE OF DASH NUMBER FOR CORROSION-RESISTANT STEEL NUTS.
ADD "R" AFTER DASH NUMBER FOR RIGHT HAND THREAD.
ADD "L" AFTER DASH NUMBER FOR LEFT HAND THREAD.
- (1) 7. IN THE EVENT OF A CONFLICT BETWEEN THE TEXT OF THIS STANDARD AND THE REFERENCES CITED HEREIN, THE TEXT OF THIS STANDARD SHALL TAKE PRECEDENCE.
- (1) 8. REFERENCED GOVERNMENT (OR NON-GOVERNMENT) DOCUMENTS OF THIS ISSUE LISTED IN THAT ISSUE OF THE DEPARTMENT OF DEFENSE INDEX OF SPECIFICATIONS AND STANDARDS (DODISS) SPECIFIED IN THE SOLICITATION FORM A PART OF THIS STANDARD TO THE EXTENT SPECIFIED HEREIN.

| | | |
|--|---|--------------|
| P.A. NAVY - AS CUSTODIANS: ARMY - AV NAVY - AS AIR FORCE - 99 | AIR FORCE - NAVY AERONAUTICAL STANDARD | AN316 |
| | NUT, JAM, HEXAGON | |
| PROCUREMENT SPECIFICATION FF-N-836 | SUPERSEDES FORMER USAF AND NAVY STANDARD ISSUE OF AN316 | SHEET 1 OF 1 |

APPROVED 7 JUL 43 REVISED 10 29 DEC 72 11 25 FEB 91